

MAVIC Allroad SL Road+ 650B

ASTM CATEGORY 2 : road and offroad with jumps less than 15cm

For a longer longevity of the wheel, Mavic recommends that the total weight supported by the wheels doesn't exceed 120kg, bike included

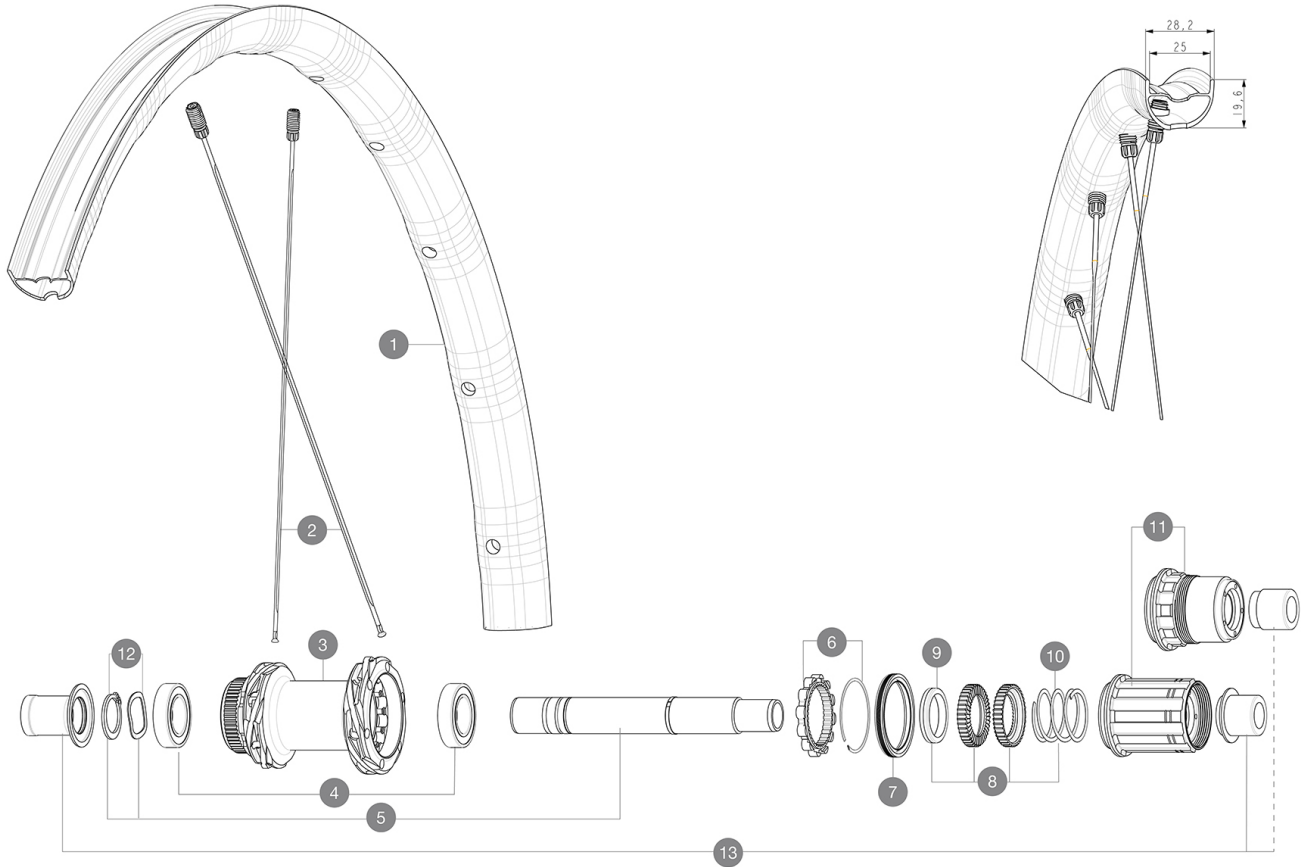
Recommended tyre sizes: 25 to 32 mm

Max. Pressure: see indication on wheel and tyre. If they differ, use the lowest of the 2

REFERENCES WHEELS

R36931 Allroad SL Road+DCL Rr

R38921 Allrd SL Road+ DCL Rr XDR

**RIMS**

&nbsp;:

1	V4093515	Kit Front/Rear rim Allroad SL Road+
---	----------	-------------------------------------

SPOKES

2	V4163601	Kit 12 Front/Rear Allroad SL Road+ spoke 279 M7/7
---	----------	---

HUB SHELLS

3	N/A	HUB BODY
4	M40076	HUB BEARINGS 17x30x7 6903 x 2
5	V2373401	KIT ID360 135/142 DCL L1 AXLE WITH CLIP
6	V2252701	KIT ID360 INSERT SHAPED EAR LOBE > 2017
7	V2251601	KIT ID360 SEAL + GREASE
8	V2251701	KIT ID360 2 RATCHETS + SPRING + GREASE
9	V2500501	KIT ID360 3 PADS NOISE REDUCING
10	V2251801	KIT 3 ID360 ROAD SPRINGS
11	V2580101	FREEHUB BODY XD Road ID360
11	V3430101	HG11 Freewheel Body ID360
12	V2373001	KIT ADJUST. SYSTEM QRM AUTO ID360 for 17x30x7 bearing
13	V2510701	ID360V2RrAxleAdapt12x142/148

MAVIC Allroad SL Road+ 650B**DELIVERED WITH**

UST valve and accessories (129 838 01)	
User guide	

COMPATIBILITY

Freewheel: Shimano/Sram, convertible to Campagnolo and XD-R with optional driver bodies	
Front axle: 12mm thru axle, easily convertible to quick release with included adapters. Convertible to 15mm with complete axle replacement	
Rear axle: 12mm thru axle, convertible to Quick Release with optional adapters	

Specifications**RIMS**

- **Material** : Mactal
 - **Height** : 22 mm
- Disc brake specific profile
- **Weight reduction** : ISM 4D
 - **Tire** : UST Tubeless and tubetype
 - **Internal width** : 25 mm
 - **ETRTO size** : 584x25TSS Road
- Hookless profile
Fore
UST
SUP

SPOKES

- **Material** : steel
- **Shape** : straight pull, elliptical aero, double butted (patented)
- **Nipples** : Fore integrated aluminum
- **Count** : 24 front and rear
- **Lacing** : front and rear crossed 2, contactless

WHEEL HUB

- **Front and rear bodies** : aluminum
 - **Axle material** : aluminum
 - **Front** : Quick release, 12x100 and 15x100 through axle compatible
 - **Rear** : Quick Release, 12x142 and 12x135 compatible
- Infinity Hub
Instant Drive 360
QRM Auto

VERSIONS

- **Disc standard** : Center Lock (R) only
- **Freewheel** : Shimano/Sram or XD-Road

WHEEL WEIGHTS

832